

5.7

SOLENOID VALVE

180103 Solenoid Valve (12V)

ITEM #	QTY	DESCRIPTION	NOTES
01	1	TOP NUT	
02	1	COIL	1
03	1	PLUG	
04	2	SCREW	
05	1	RETAINER PLATE	
06	1	TUBE	
07	1	PLUNGER	
08	1	RETURN SPRING	
09	1	VALVE BODY	

Specs:

Pressure 0-10 Bar (145psi)
Voltage 12V

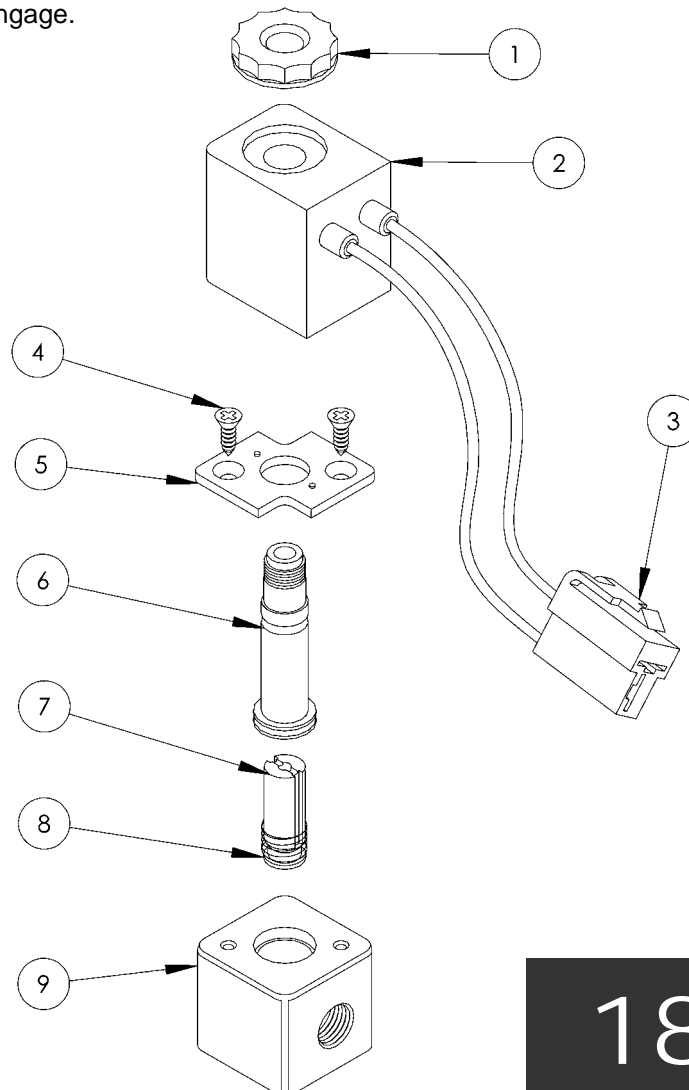
Notes:

- 1 Do not apply power to the solenoid with the coil removed as this could cause permanent damage to the coil.

One of the features of this solenoid is that it can be easily serviced. The procedure for dismantling the solenoid valve is as follows:

1. Unscrew and remove the top nut.
2. Lift coil off body.
3. Remove screws from retainer plate.
4. Pull to remove the retainer plate, tube and plunger.
5. The valve can now be cleaned and serviced, making sure the bottom of the plunger and its seat in the body are in good condition.
6. Reassemble as above.

Note: A fast 'in the field' fix for a malfunctioning solenoid is to dismantle the solenoid as above but remove the return spring from the plunger and reassemble without it. This will allow the Air Locker to engage but it won't be possible to dis-engage.



180103

